

# Data Sheet



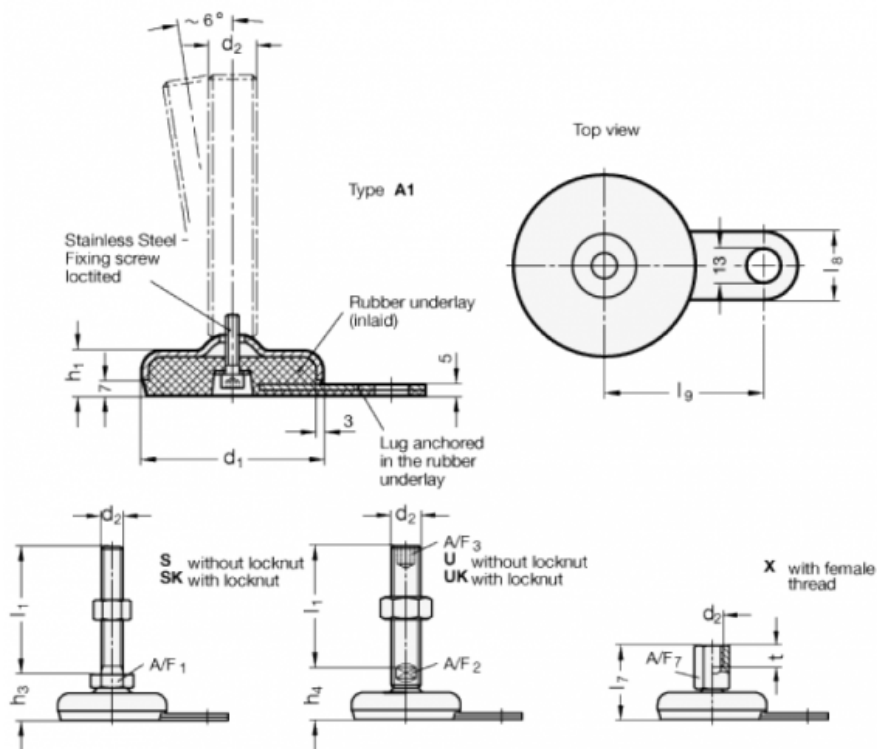
Article number: 203250M1675A1U

Description: E+G levelling foot

GN 32-50-M16-75-A1-U

Note: U Without nut, Hexagon socket at the top, Wrench flat at the bottom

## Measures



A/F2 = 12

I9 = 45

A/F3 = 8

d1 = 50

d2 = M16

h1 = 18

h4 = 32

l1 = 75

l8 = 25